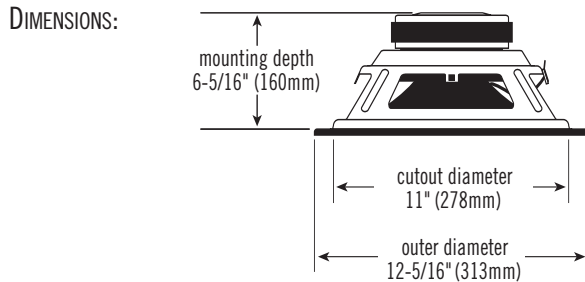




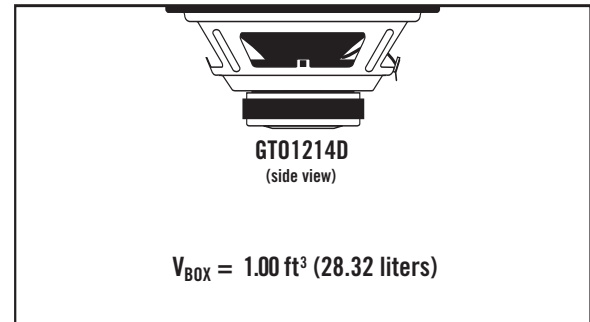
GT01214D 12" Woofer – Technical Data

SPECIFICATIONS

DIAMETER:	12" (305MM)
SENSITIVITY (2.83V @ 1M):	93dB
POWER HANDLING:	350W _{RMS} (1400W _{PEAK})
FREQUENCY RESPONSE:	23Hz ~ 400Hz
NOMINAL IMPEDANCE:	2 or 8 OHMS
VOICE COIL DIAMETER:	2.0" (51.0MM)



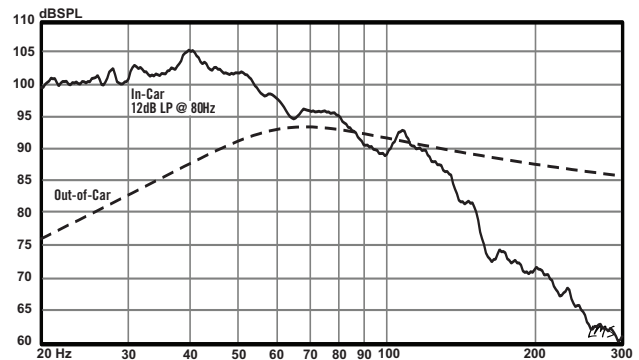
SEALED BOX VOLUME (INCLUDES DRIVER DISPLACEMENT)



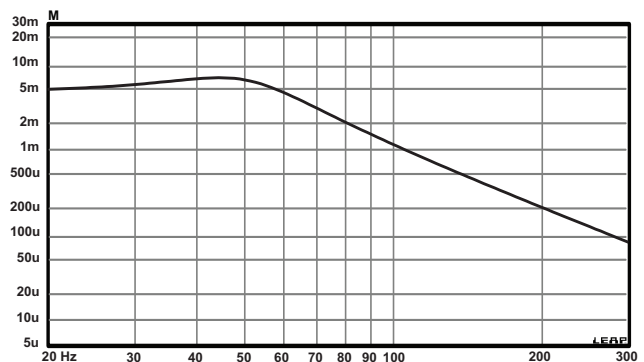
THIELE-SMALL PARAMETERS

VOICE COIL DC RESISTANCE:	R_{EVC} (OHMS) 1.89
VOICE COIL INDUCTANCE @ 1kHz:	L_{EVC} (MH) 1.20
DRIVER RADIATING AREA:	S_{D} (IN ²) 79.20
	S_{D} (M ²) 511.00
MOTOR FORCE FACTOR:	BL (TM) 10.8
COMPLIANCE VOLUME:	V_{AS} (FT ³) 2.33
	V_{AS} (LITERS) 66.00
SUSPENSION COMPLIANCE:	C_{MS} (UM/N) 177.00
MOVING MASS, AIR LOAD:	M_{MS} (GRAMS) . . . 178.00
MOVING MASS, DIAPHRAGM:	M_{MD} (GRAMS) . . . 171.4
FREE-AIR RESONANCE:	F_{S} (HZ) 28.30
MECHANICAL Q:	Q_{MS} 11.14
ELECTRICAL Q:	Q_{ES} 0.51
TOTAL Q:	Q_{TS} 0.49
MAGNETIC-GAP HEIGHT:	H_{AG} (IN) 0.31
	H_{AG} (MM) 8.00
VOICE COIL HEIGHT:	H_{VC} (IN) 1.45
	H_{VC} (MM) 37
MAXIMUM EXCURSION:	X_{MAX} (IN) 0.57
	X_{MAX} (MM) 14.50

SEALED ENCLOSURE FREQUENCY RESPONSE @ 2.83V



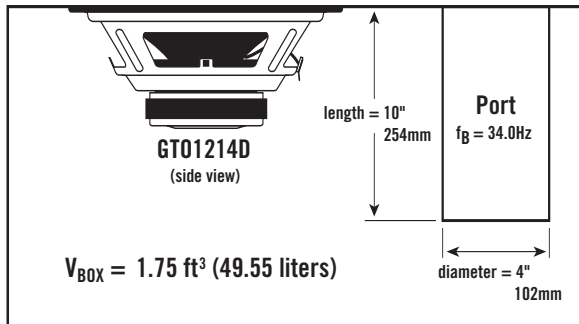
SEALED ENCLOSURE CONE EXCURSION @ 350W



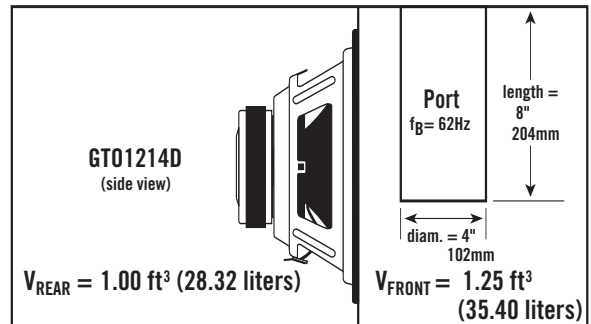


GT01214D 12" Woofer – Technical Data

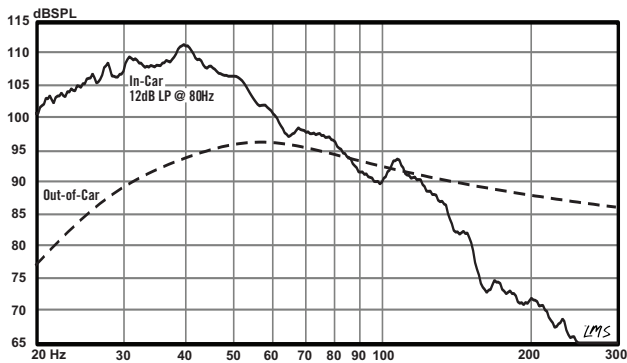
VENTED BOX VOLUME (INCLUDES DRIVER/PORT DISPLACEMENTS)



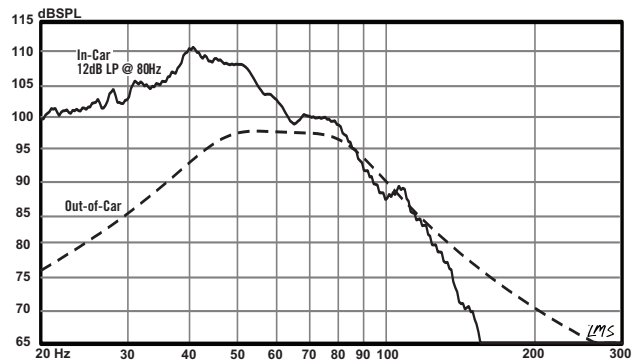
BAND-PASS BOX VOLUME (INCLUDES DRIVER/PORT DISPLACEMENTS)



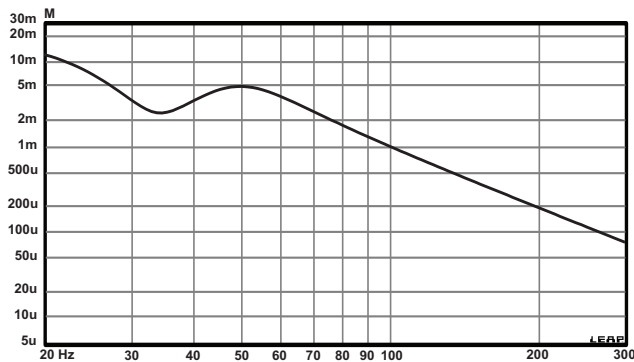
VENTED ENCLOSURE FREQUENCY RESPONSE @ 2.83V



BAND-PASS ENCLOSURE FREQUENCY RESPONSE @ 2.83V



VENTED ENCLOSURE CONE EXCURSION @ 350W



BAND-PASS ENCLOSURE CONE EXCURSION @ 350W

